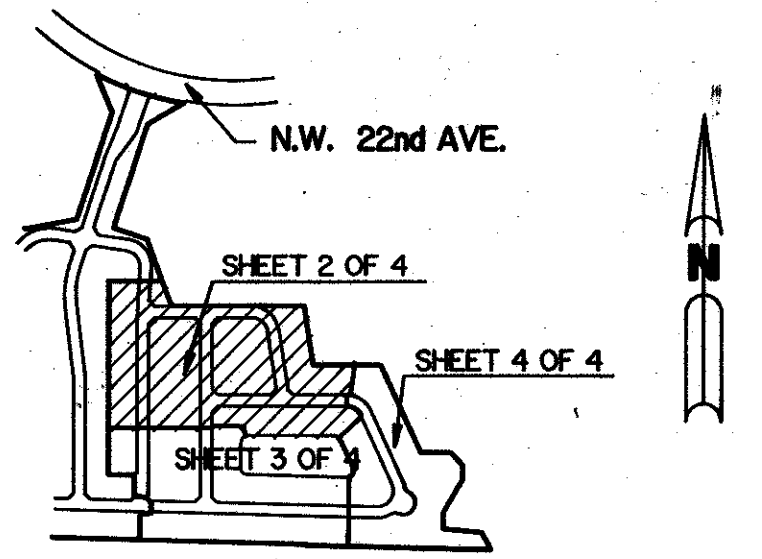


(A P.U.D.)

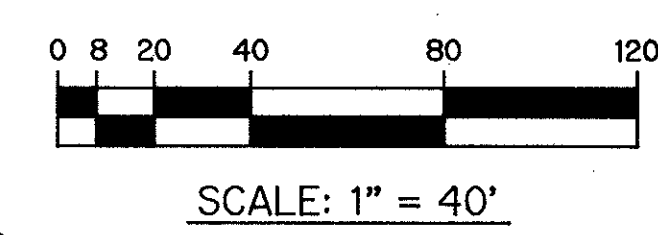
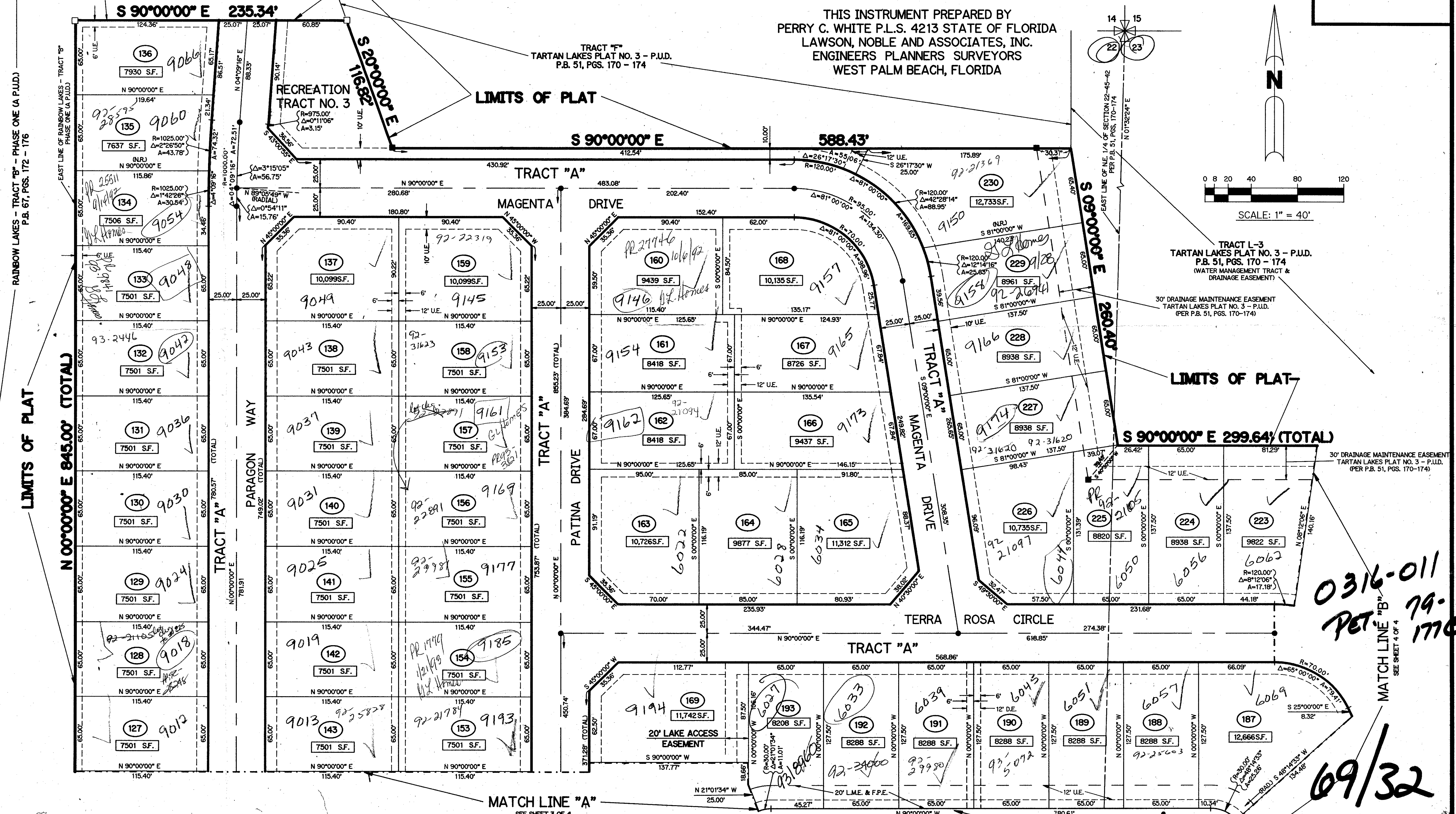
RAINBOW LAKES - TRACT "B" - PHASE TWO

A REPLAT OF A PORTION OF TRACT "B" ACCORDING TO THE PLAT OF TARTAN LAKES PLAT NO. 3 - P.U.D. AS RECORDED IN PLAT BOOK 51, PAGES 170 THROUGH 174, INCLUSIVE, OF THE PUBLIC RECORDS OF PALM BEACH COUNTY, FLORIDA. SECTIONS 22 AND 23, TOWNSHIP 45 SOUTH, RANGE 42 EAST SHEET 2 OF 4 JANUARY, 1992



KEY MAP N.T.S.

THIS INSTRUMENT PREPARED BY PERRY C. WHITE P.L.S. 4213 STATE OF FLORIDA LAWSON, NOBLE AND ASSOCIATES, INC. ENGINEERS PLANNERS SURVEYORS WEST PALM BEACH, FLORIDA



TAZ = 444
SECTION 22 & 23, TOWNSHIP 45 SOUTH, RANGE 42 EAST
BOOK 69 PAGE 32
FLOOD HAZARD ZONING RS/SE
ZIP CODE 33437
PUD NAME
2227 1/2 SW 22nd Ave
WEST PALM BEACH, FL 33411

0316-011
79-177C
MATCH LINE "B"
SEE SHEET 4 OF 4

69/32

RAINBOW LAKES - TRACT "B" - PHASE 2